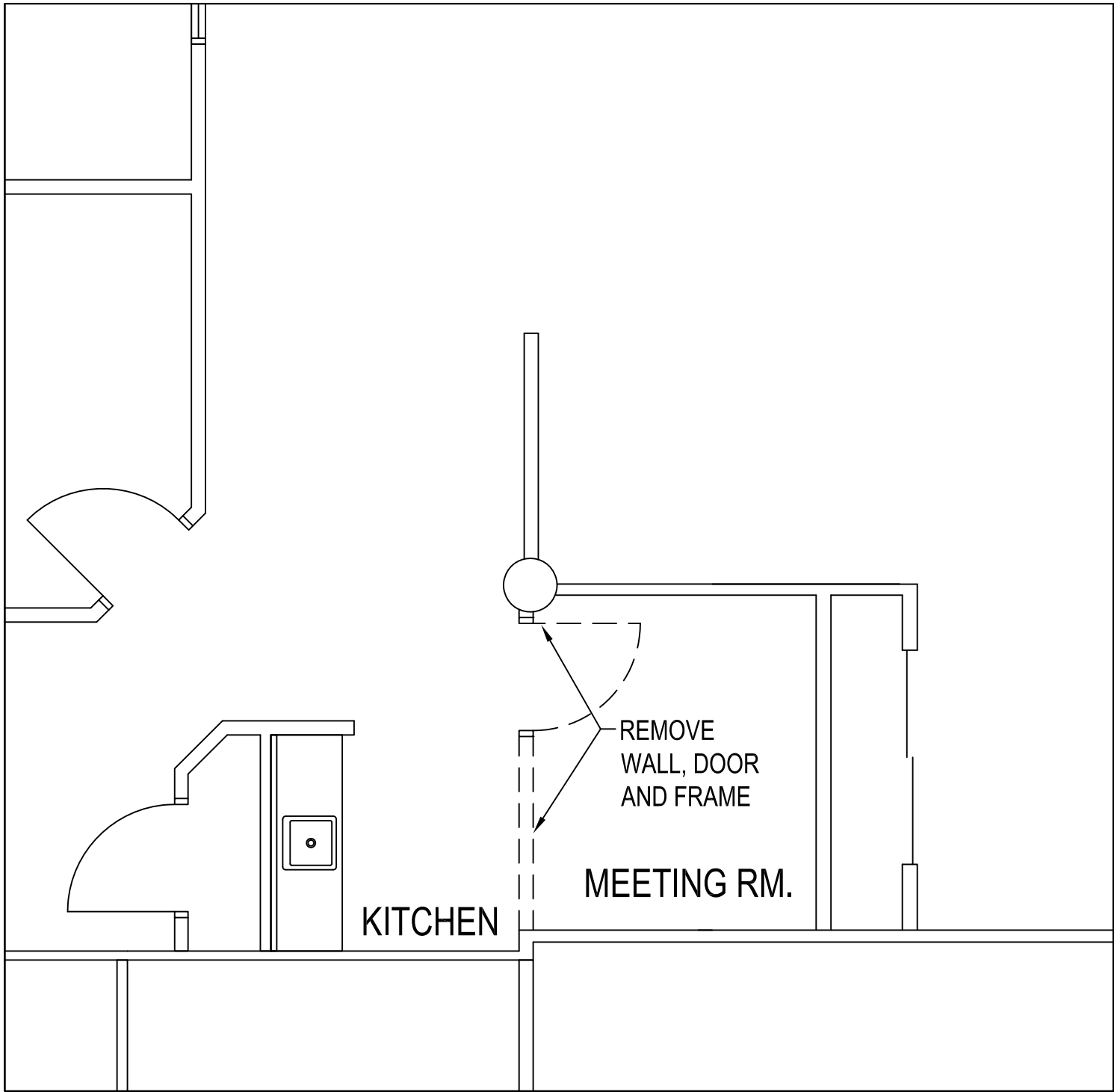


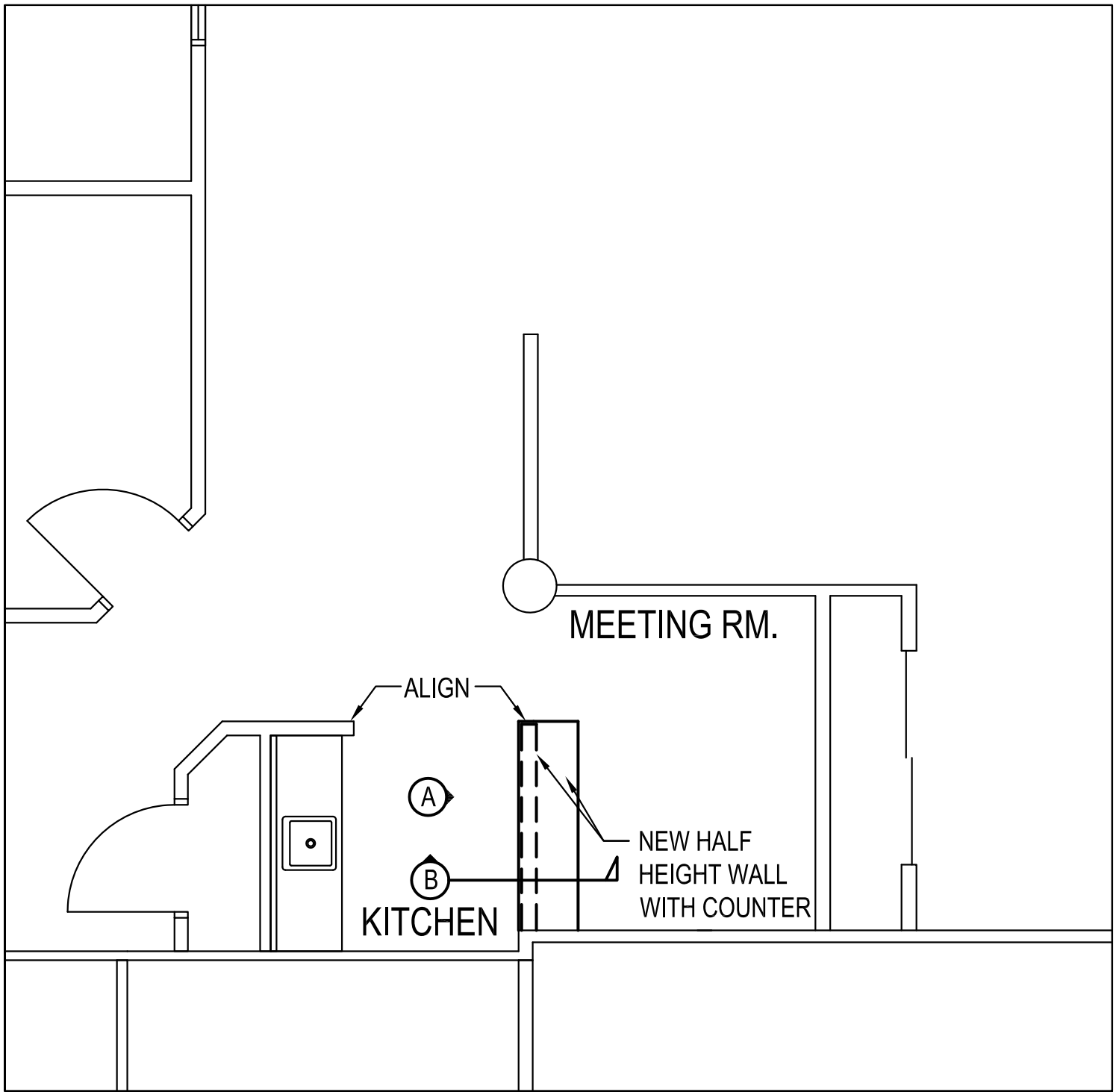
STE. 203 - EXISTING LAYOUT  
1001 CHAMPLAIN AVE.  
BURLINGTON, ONTARIO

9-Feb-21



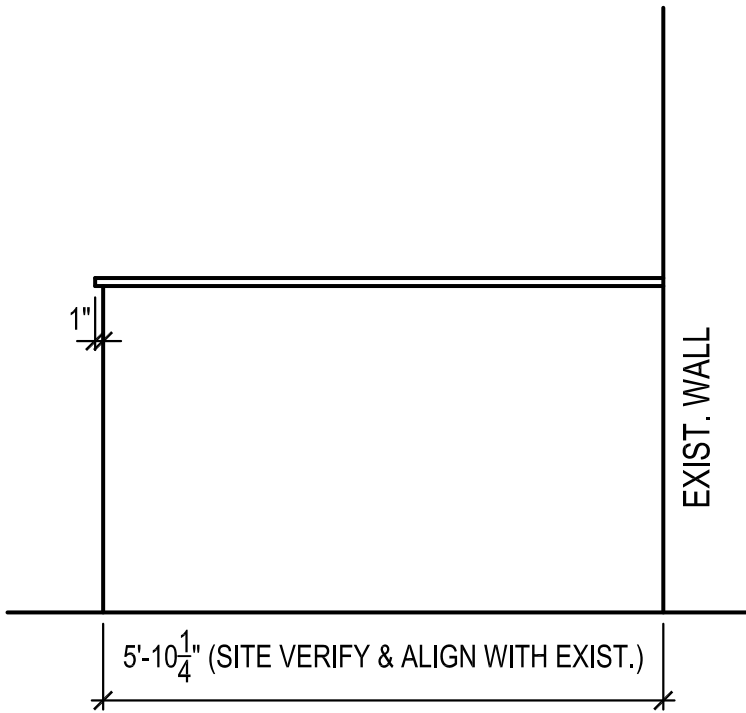
STE. 203 - DEMOLITION  
1001 CHAMPLAIN AVE.  
BURLINGTON, ONTARIO

9-Feb-21

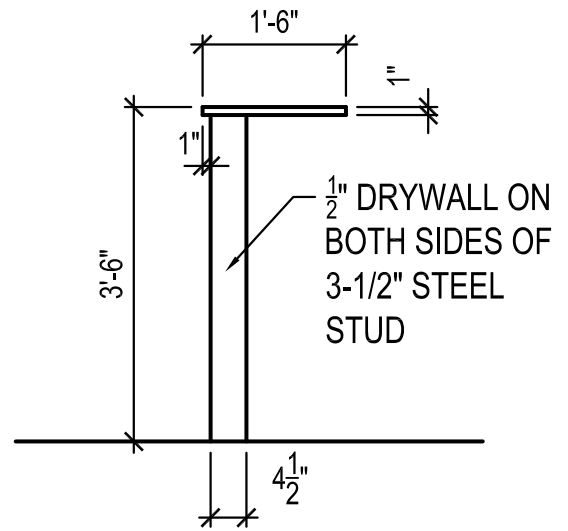


STE. 203 - PROPOSED  
1001 CHAMPLAIN AVE.  
BURLINGTON, ONTARIO

9-Feb-21



ELEVATION A



SECTION B

STE. 203 - PROPOSED COUNTERTOP  
 1001 CHAMPLAIN AVE.  
 BURLINGTON, ONTARIO

9-Feb-21